

# GEYSER

water filters

## FILTER GEYSER SMART

 VERSATILE  
 FOR HARD WATER



**Thank you for choosing your new GEYSER water filter!**

Our exclusive technology will provide perfect water quality for your home. All functional capabilities and the installation instructions for your GEYSER SMART water treatment system are contained in this manual. Read through carefully and retain for future reference. The set contained in the box for your water treatment system contains everything required to get started as soon as you have completed installation.

## CONTENTS:

Geyser technologies .....	4
Designated use.....	5
Technical data .....	6
Box contents.....	8
Connection .....	9
Start-up .....	23
Filter maintenance .....	24
Warranty obligations.....	24

## ADVANTAGES OF GEYSER SMART FILTERS

- **SMALL SIZE** – an ergonomic system – takes up less space under the sink.
- **PROMPT AND SIMPLE** - convenient fastening and easy replacement of filtering modules. Complete set for connection.
- **SAFETY** – all materials used in Geysler water treatment systems are certified for contact with potable water and food.
- **SCALE AND RUST REMOVAL.**
- **USEFUL CALCIUM** in water for your health.
- **CHEAPER THAN BOTTLED WATER.**
- **IMMUNE SYSTEM REINFORCEMENT** and urinary stone disease prevention.
- **COMBINATION OF UNIQUE TECHNOLOGIES.**

## GEYSER TECHNOLOGIES

GEYSER SMART water filters are unique in their efficient performance and the consistency of each filtering stage; as a result, the entire system provides high performance water cleaning throughout its service life.

Due to combination of unique materials Aragon and Catalon, GEYSER SMART filters remove all undesirable impurities, soften hard water and make it safe and beneficial to health.

**ARAGON** is a conceptually novel, unique filtering material (patent No. 2203721) that combines three filtration methods: mechanical, sorption and ion-exchange.

### **Advantages of Aragon cartridge:**

**Complete safety** - a complicated labyrinth structure of filtering material irreversibly entraps all impurities (anti-discharge).

**Self-indication** - a decrease in clean water flow in the tap warns that the cartridge useful life has expired.

**Active silver** is integrated in the cartridge in an unwashable form – absolutely safe bacteriostatic effect.

**Quasi-softening** - in the process of water filtration through Aragon cartridge, hardness salts are transformed to Aragonite, a useful form of calcium (prophylaxis of cardio-vascular diseases). Treated water does not form scale on heating elements during boiling.

**CATALON** (patent No. 253829) – a new-generation fibrous sorbent. Removes heavy metals, organic compounds. Provides a bacteriostatic effect – bacterial growth is inhibited by silver ions contained in the material.

## DESIGNATED USE

Geysler SMART filters are used for cleaning tap water of harmful impurities: chlorine, iron and rust, heavy metals, nitrates, pesticides, suspended solids, excessive hardness salts.

## TECHNICAL DATA



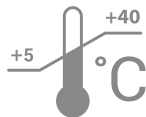
Filtration speed



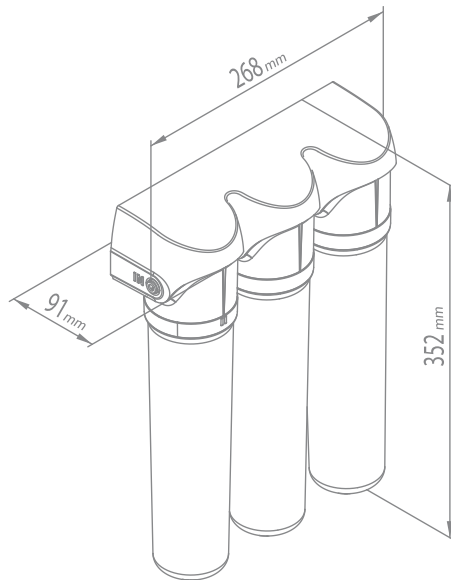
Maximum  
working pressure



Weight



Temperature of water  
to be cleaned



\*As filtration speed is increased, cleaning efficiency reduces.

\*\* If pressure in the water supply line is higher than 7 atm, a pressure regulator (not included in the delivered set) must be installed.

## MODIFICATIONS AND MODULES OF GEYSER SMART FILTERS

Model	First stage	Second stage	Third stage	Application	Service life, L
SMART VERSATILE	CARBON Ag	ARAGON SMART	POSTCARBON Ag	Versatile	10 000
SMART FOR HARD WATER	SOFTENER	ARAGON SMART	POSTCARBON Ag	Hard water	10 000

### FILTERING MATERIALS AND CARTRIDGES

GEYSER SMART compact filter implements all traditional water treatment methods: mechanical filtration, ion exchange, sorption, iron elimination.

**ARAGON** is a microporous ion-exchange polymer. It makes it possible to remove from water a broad range of harmful impurities: hardness salts, iron, manganese, heavy metals, chlorine, solid particles, bacteria and organic compounds.

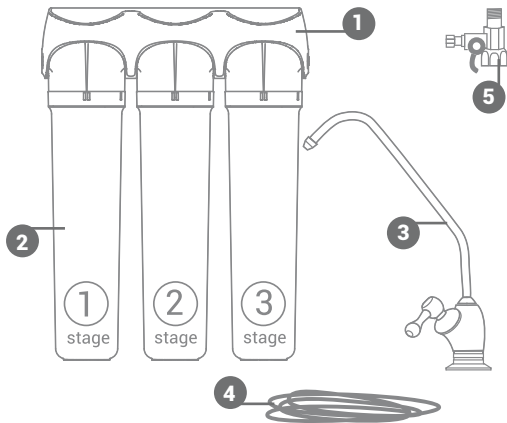
**CARBON Ag** contains a multi-component media based on carbon sorbents and ion-exchange materials. Removes dissolved and colloid iron, heavy metals, chlorine and organic impurities. Contains silver in an un-washable form.

**SOFTENER** contains a food-grade ion-exchange resin. Removes hardness salts.

**POSTCARBON Ag** contains high-quality coconut carbon and Catalon material, which provides removal of residual chlorine and organochlorine impurities from water.

## SET OF DELIVERY

- 1 Clamp
- 2 Modules – 3 units.
- 3 Tap for clean water with a connection set
- 4 Connection pipe 1/4"
- 5 T-fitting
- 6 Manual
- 7 Packing

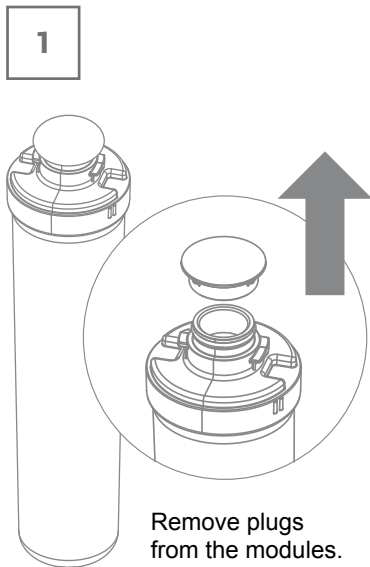




## PREPARING FOR CONNECTION

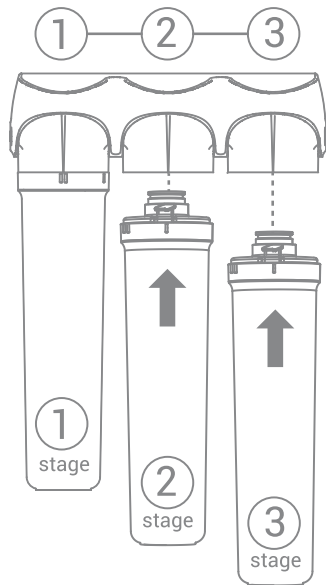
Installation of the filter is recommended to be performed by a skilled professional or by a representative of the manufacturer. If you do it yourself, follow the instructions precisely. Do not disassemble factory-assembled units unless it is absolutely necessary. Before installation, store the filter at room temperature for at least 3 hours. Take the filter clamp and the modules out of the packing box, remove the film.

The manufacturer reserves the right to make improvements in the product set without notification in this manual.

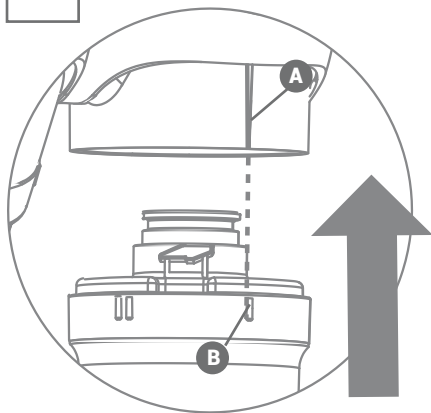


2

Install the modules in accordance with numbering of the filter stages.



3

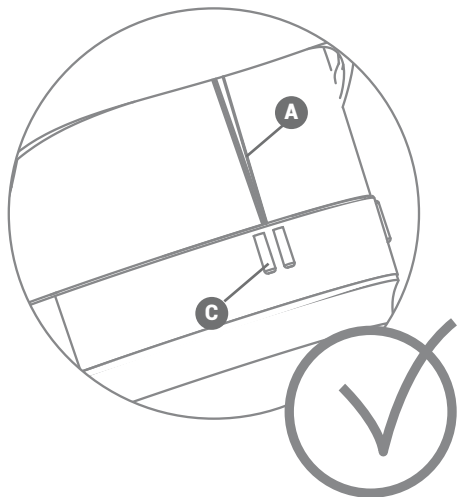
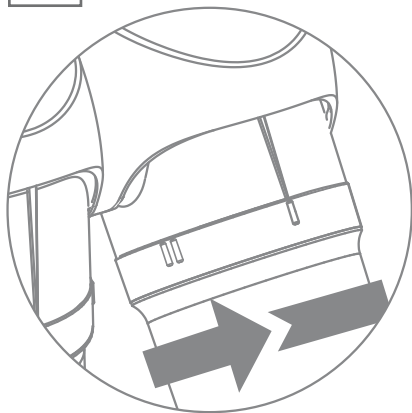


Bring the central pointer (A) on the filter clamp into coincidence with mark "I" (B) on the module.



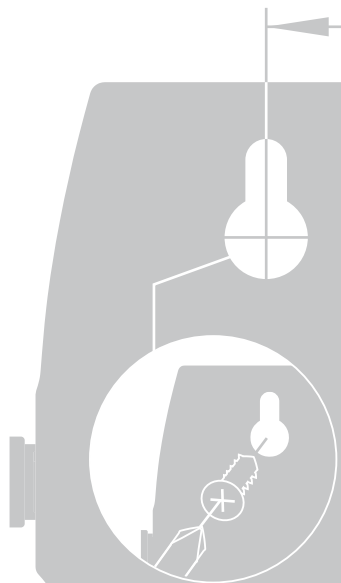
In this position, insert the module applying a slight force until a click is heard.

4



Rotate the module clockwise to bring into coincidence the central pointer (A) on the filter clamp and the mark "II" (C) on the module.

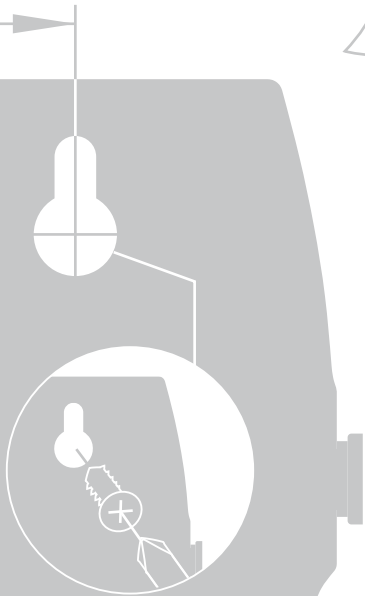
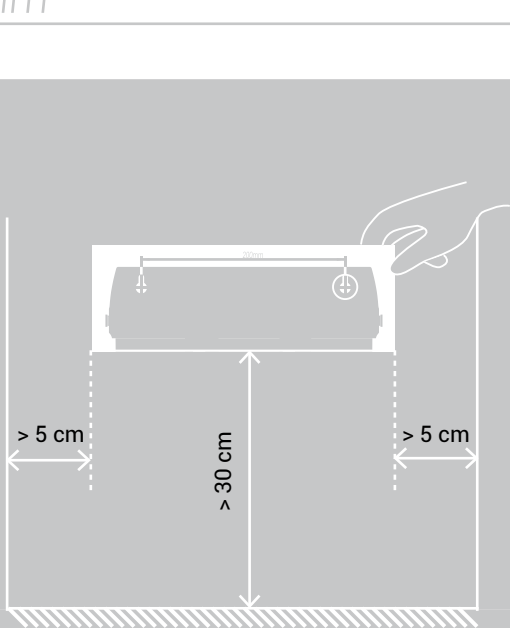




## PREPARE THE PLACE FOR INSTALLATION

- Choose a place under the sink where the filter will be installed. Keep in mind that the filter must be connected to the T-fitting (water supply) and to the clean water tap; for this purpose, the filter is provided with a plastic pipe.
- Remove this sticker template from the manual, and apply it to the place of future installation so that the distance from the bottom edge of the sticker to the surface under the filter is at least 30 cm.
- Screw self-tapping screws at the points shown on the template.

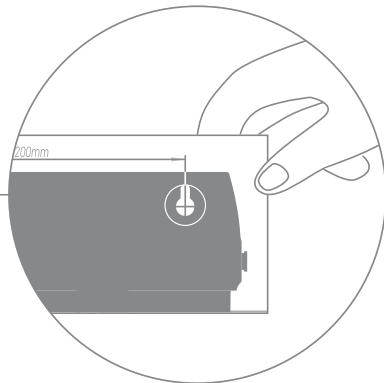
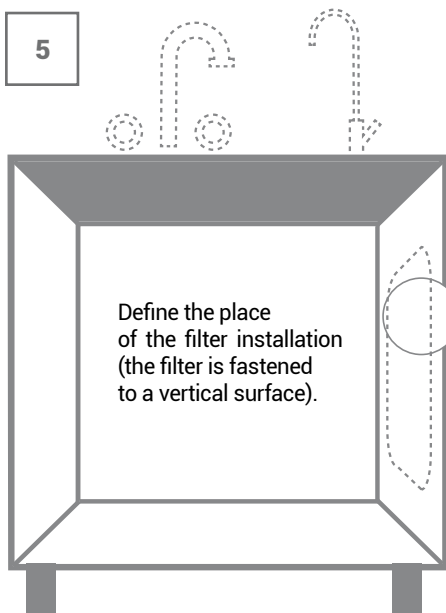
100mm







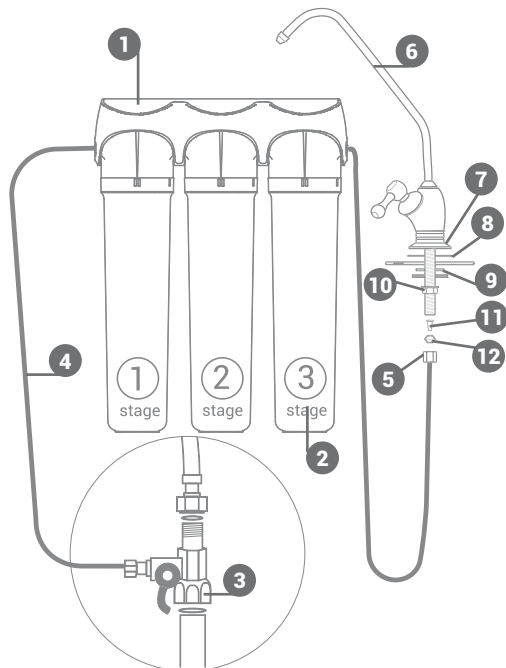
5



For installation, use the template (included in the delivered set, see page 16)

## CONNECTION DIAGRAM

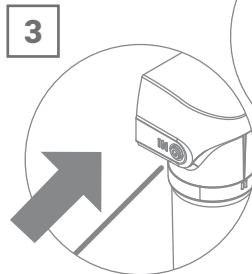
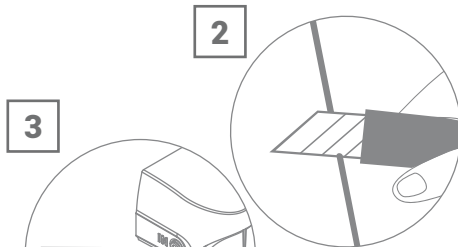
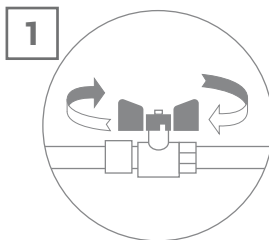
- 1 Clamp
- 2 Modules
- 3 T-fitting
- 4 Connection pipe 1/4"
- 5 Collet locker nut 1/4"
- 6 Tap
- 7 Decorative cup
- 8 Rubber gasket
- 9 Plastic washer
- 10 Fastening nut with a lock washer
- 11 Piston
- 12 Plastic thrust ring



## CONNECTION PROCEDURE

1. Before starting the work, cut off cold water supply (Fig. 1) to the place of connection and reduce pressure by opening the mixer tap.
2. Cut the pipe from the connection set into two parts (Fig. 2) and connect each of them to the filter inlet and outlet (Fig. 3).

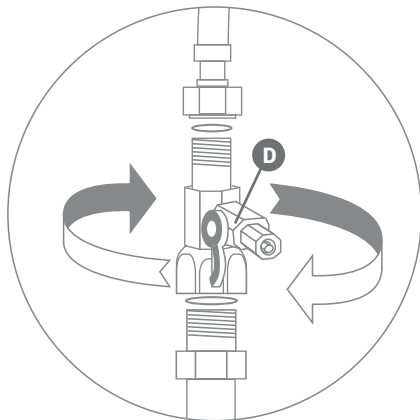
**Attention! Inlet (IN – on the clamp) – the first stage (Table, p. 7. Outlet (OUT – on the clamp) – the third stage (Table, p. 7).**



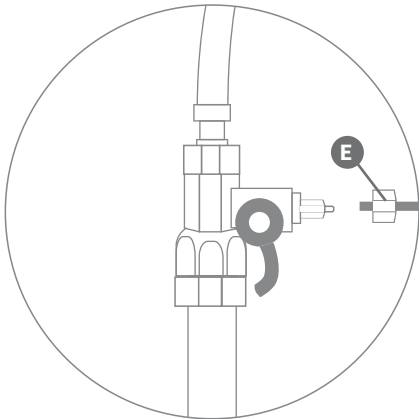
## CONNECTION TO THE WATER SUPPLY LINE

1. Mount the T-fitting (D) on the cold water supply line and seal the connections (Fig. 4).
2. Insert the plastic pipe into the nut (E) (Fig. 5). Insert the pipe into the union of the ball valve to a positive stop and tighten the nut (Fig. 6).

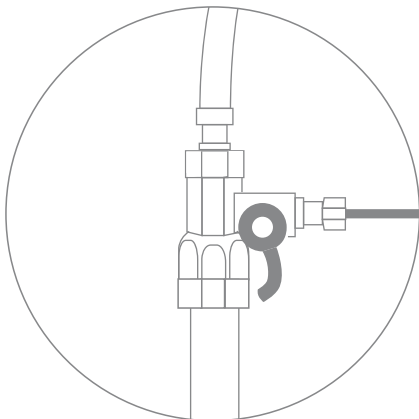
4



5



6



## CONNECTION OF THE CLEAN WATER TAP (No. 3)

1. Drill a hole of 12 mm diameter in the sink.
2. Assemble the tap in the following sequence (see Connection diagram):

- Tap
- Decorative cup
- Rubber gasket, large
- Rubber gasket, small
- Plastic washer
- Fastening nut with a lock washer
- Piston
- Plastic thrust ring
- Collet locker nut

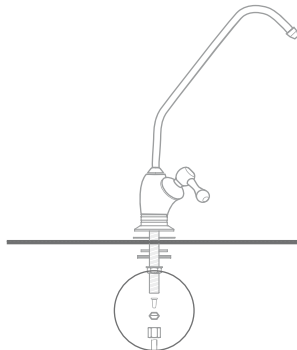
Fix the tap on the sink

3. Connection of the filter to the clean water tap:

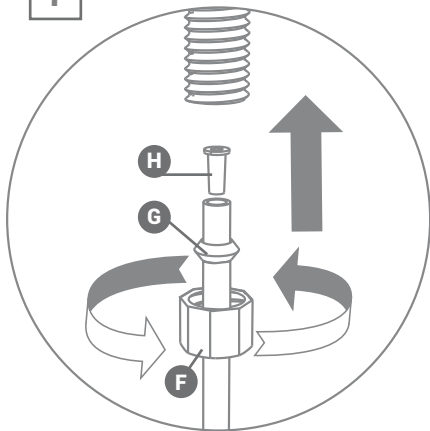
- Pass the plastic pipe through the nut (F).
- Fit the plastic thrust ring (G) over the pipe end (Fig. 7).
- Insert the piston (H) into the pipe

to a stop (Fig. 7).

- Screw the nut onto the threaded rod of the tap (Fig. 7).



7



## START-UP

Before starting the use, flush the filter for 2-5 minutes.

Flushing of the filter must also be performed after replacement of cartridges and after a long (more than 5 days) interruption in use. After installation of a new filter or replacement of cartridges, air remains in the system. This leads to excessive aeration of water (water may be of milky white colour). In the course of the filter operation, air will leave the system and treated water will become clear.

## CARTRIDGE REPLACEMENT

On expiration of cartridge lifetime or service life, the cartridges must be replaced.

To replace the cartridges, proceed as follows:

1. Cut off water supply to the filter.

**Attention! During cartridge replacement, a small amount of water may leak out. We advise to place a cloth under the filter.**

2. Screw out each module in turn and take them out of the clamp.

3. Mount new modules observing the order of the treatment stages for the given modification in accordance with item 4 in the section "Preparation for connection".

## WARRANTY OBLIGATIONS

The warranted period of the filter operation is 2 years from the date of sale. In case the date of sale and the stamp of the seller organization are absent, the period of warranty is counted from the date of the filter manufacture. The warranty does not cover cartridges. Service life of the cartridges is shown in the Table on page 7. Replacement of cartridges under the warranty in case they are found to have factory defects is performed after examination by service department representatives.

The manufacturer shall assume no responsibility for the filter operation and possible consequences if:

- technical parameters of the product are within the limits established in this service manual;
- the filter or the components have mechanical damages;
- requirements stated in this manual were not met during connection and operation;



■ premature failure of the product parts was caused by untimely replacement of components or operation of the product in conditions not complying with requirements for source water as specified in this manual;

■ the user introduced by himself any changes in the product design in the course of repair or upgrading;

■ the cartridges exhausted their life span;

■ the filter was used for other than designated purposes (for cleaning of aggressive liquids);

■ force-majeure circumstances or other events as provided for in legislation took place.

The lifetime of the filter is 5 years. Maintenance and post-warranty repair are performed by the manufacturer or by its regional representatives. The service department guarantees 6-months' long free elimination of failures in the filter connections and fas-

teners that occurred by the manufacturer's fault during installation of the filter.

## **SAFETY PRECAUTIONS, STORAGE AND TRANSPORTATION**

Protect the filter against impacts, falls, exposure to direct sunlight and negative temperatures. The filter can be transported in any closed vehicles (except for unheated compartments in airplanes) in accordance with transportation rules and standards existing in the given mode of transport. Exposure to aerosols, aggressive and smelling substances is not allowed. The filter must be stored in the original packing, at least 1 m away from heating appliances, at a temperature of +4 to +25 °C. Shelf life of the filter in intact packing is 2 years.

## WARRANTY CARD

Date of manufacture

**To be completed by retailer** \_\_\_\_\_

Date of sale \_\_\_\_\_

Stamp of retail outlet \_\_\_\_\_



Declaration of conformity:

TC N RU Д-РУ.HO03.B.00273 of 24.06.2016

TU 3697-023-48981941-2016

**The address of the manufacturer: AKVATORYA, LTD**

195279 Russia, Saint-Petersburg, 69 Shosse Revolyutsii, build. 6, lit. A

Postal address: 195279 Saint-Petersburg, P.O.B. 379

Tel. /Fax. +7812-605-00-55

e-mail: office@geizer.com

**www.geizer.com**

**www.geyser.pro**

■ **GEYSER FILTRY. S R.O.**

Sokolovská 1276 / 152

180 00 PRAHA 8, Česká republika

Phone: +420 222 368 239

e-mail: office@geyser.cz

■ **SC GEYSER FILTERS SRL**

Romania, Bucharest,

street. Arh Ionescu Grigore № 63, block. T73,

entry.B, floor 4, apartment 42, Sector 2

■ **GEYSER D.O.O.**

Južni Bulevar 136

111 18 Belgrade, Srbija

e-mail: serbia@geizer.com

■ **GEYSER BALTIJA**

Salamandras iela 1, Riga, LV-1024 Latvia

Phone: +371 6756-5300

e-mail: ofiss@geizer.com

